

A

● B

●

●

●

●

●

●

●

●

●

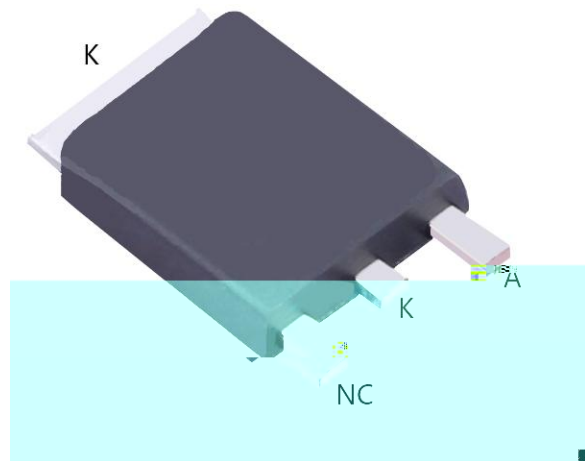
●

●

●

CC C

C



	C	
	A	



	B				
	C C				A
	C				A
	A				
	A				
	C				
B			±		
			±		

A

	CC					
	CC					
<b>&amp;</b>						
	A					
	A					
<b>NMOS</b>						

A

1.

A

2. NMOS

A

A

3. RC

A

CC  
C

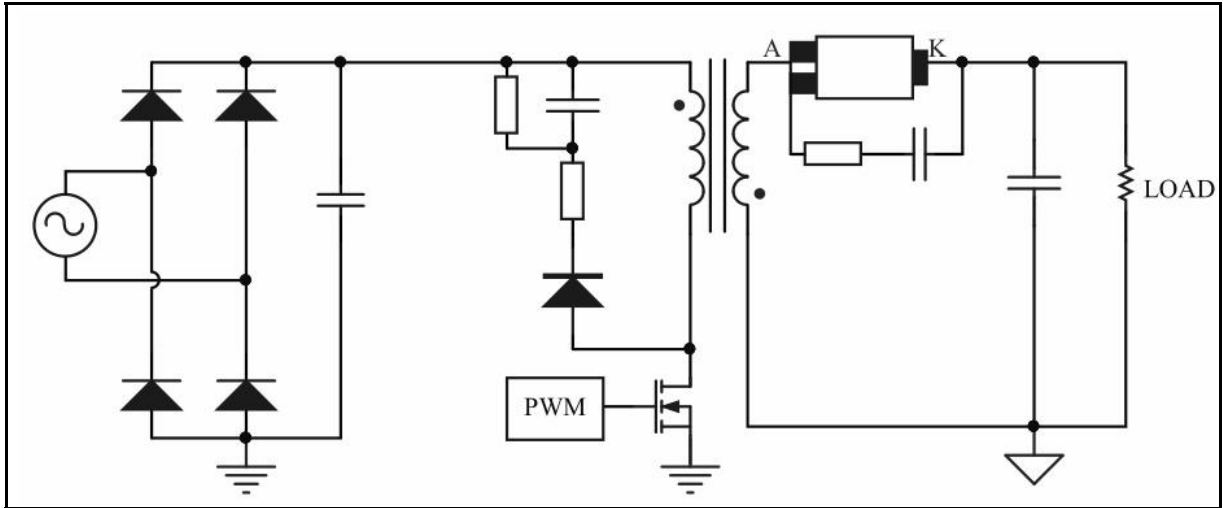
4. NMOS

C

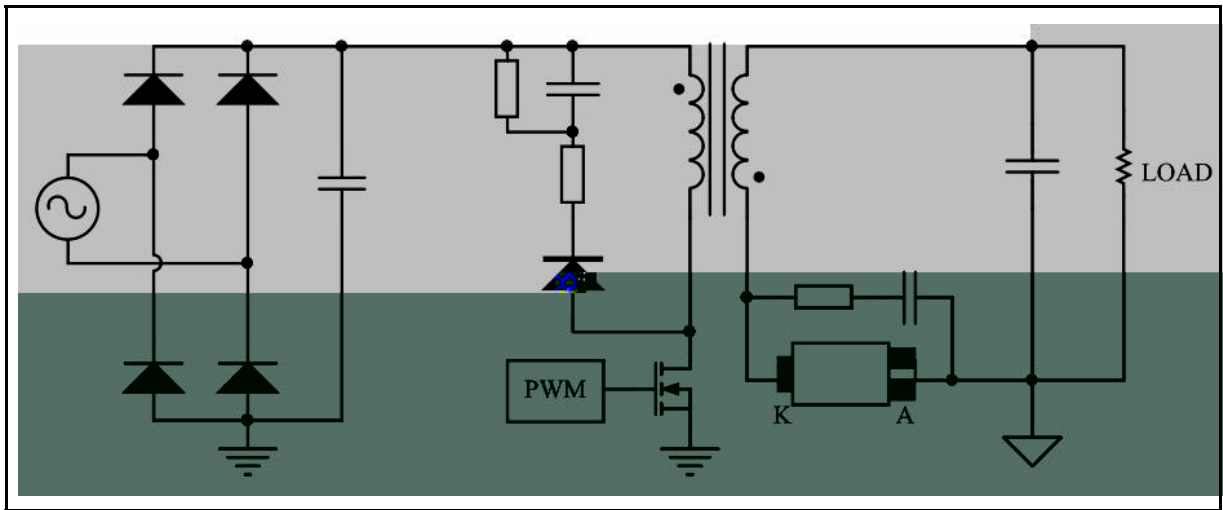
5.



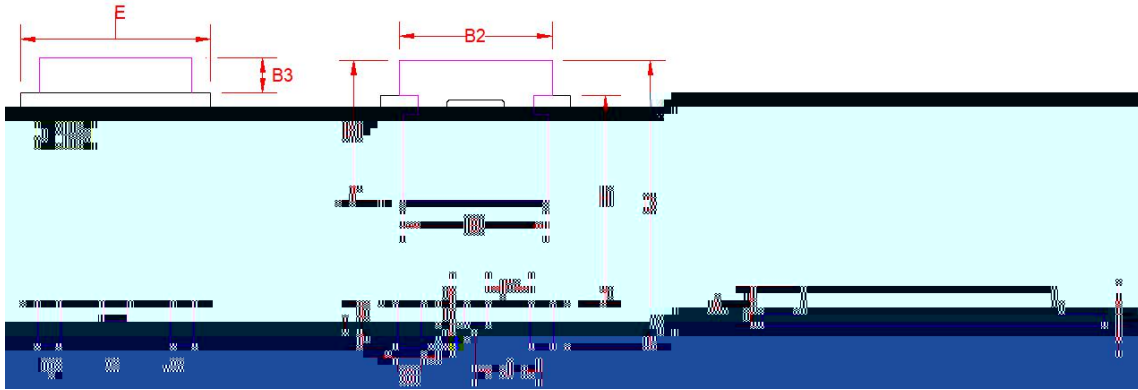
1.



2.



## TO-252



Symbol	mm		
	min	nom	max
A			
B			
B			
B			
B			
C			
	B C		

 <p><b>WARNING!</b> ESD SENSITIVE DEVICE</p>	ESD
---	-----

- 
- 
- 
- 
- 
- 
- 
-