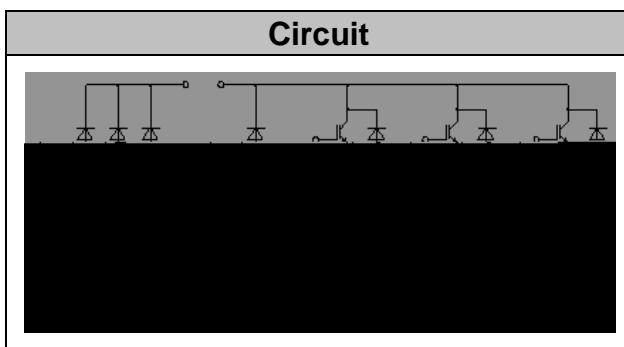


IGBT Modules

VCES

IC

Applications



Features

-
-
-
-
-
-
-

IGBT- inverter

Absolute Maximum Ratings

Parameter	Symbol	Conditions	Value	Unit



Diode-inverter Absolute Maximum Ratings

Parameter	Symbol	Conditions	Value	Unit

Characteristic values

Parameter	Symbol	Conditions	Value			Unit
			Min.	Typ.	Max.	



Diode-Brake-Chopper

Absolute Maximum Ratings

Parameter	Symbol	Conditions	Value	Unit

Characteristic values

Parameter	Symbol	Conditions	Value			Unit
			Min.	Typ.	Max.	



Diode-Rectifier Absolute Maximum Ratings

Parameter	Symbol	Conditions	Value	Unit

Characteristic values

Parameter	Symbol	Conditions	Value			Unit
			Min.	Typ.	Max.	

NTC-Thermistor Characteristic values

Parameter	Symbol	Conditions	Value			Unit
			Min.	Typ.	Max.	



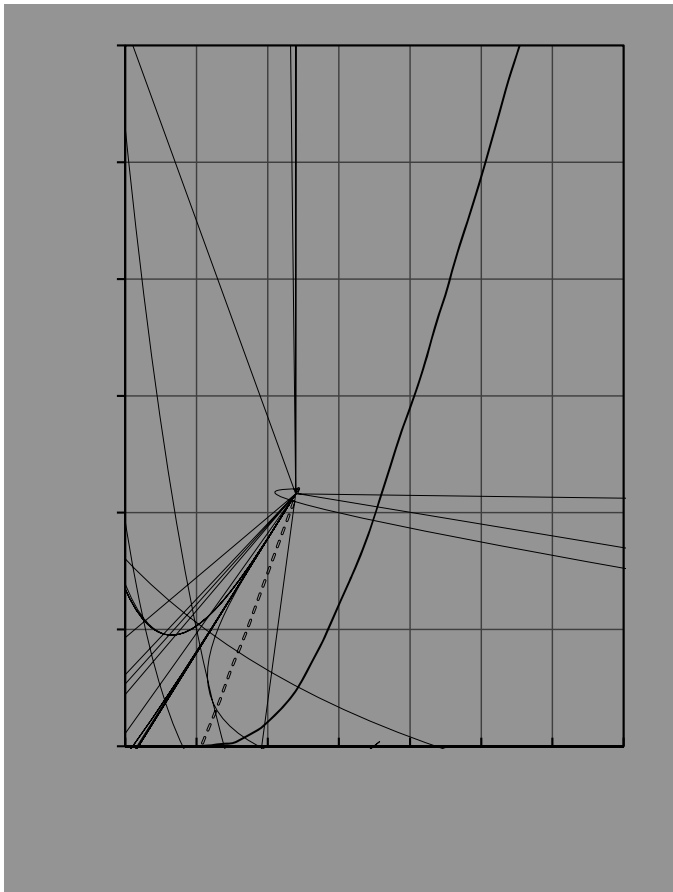
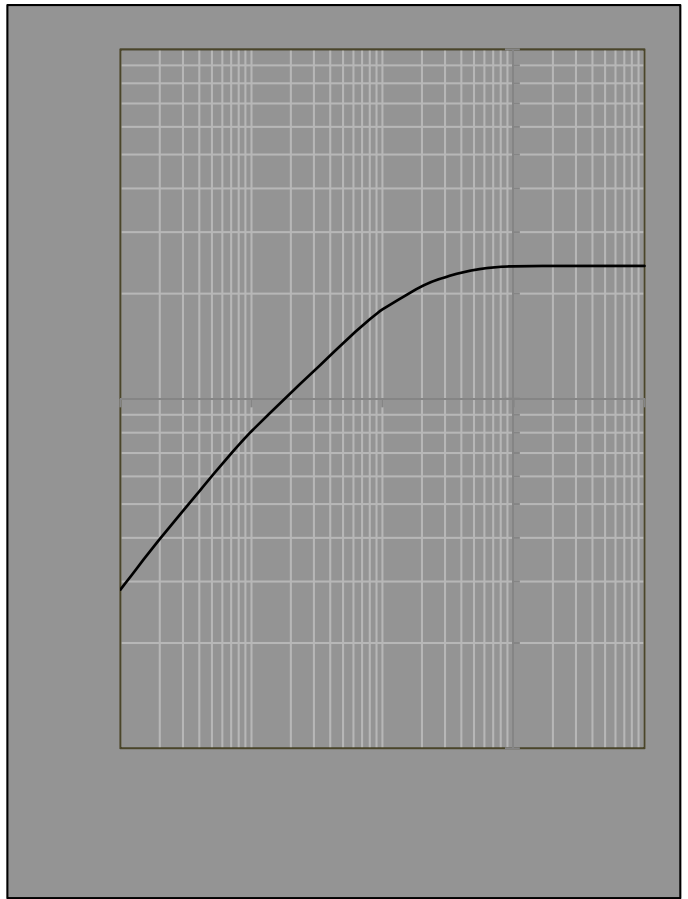
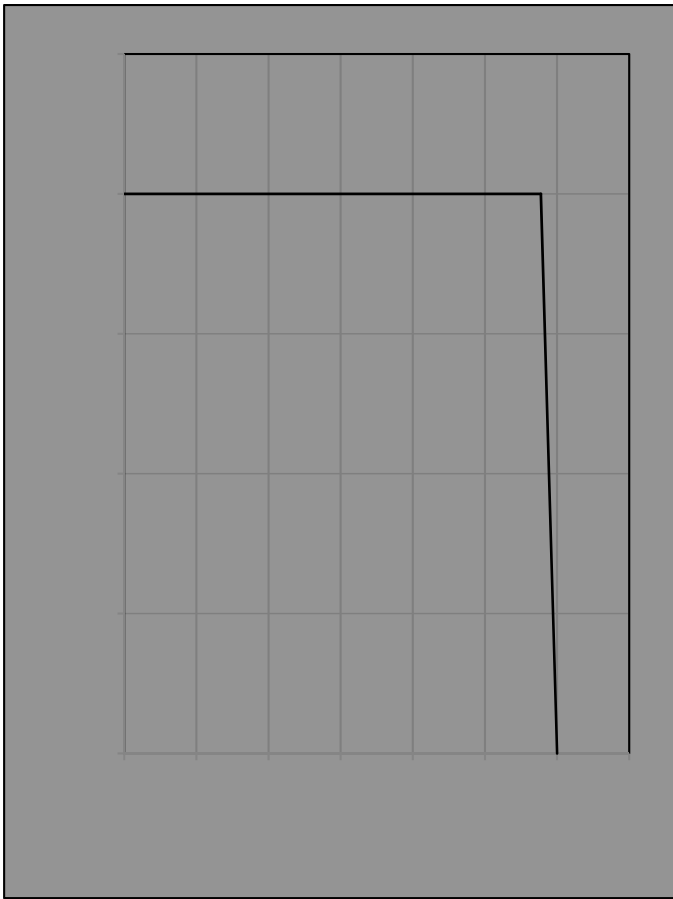
MG10P12P2

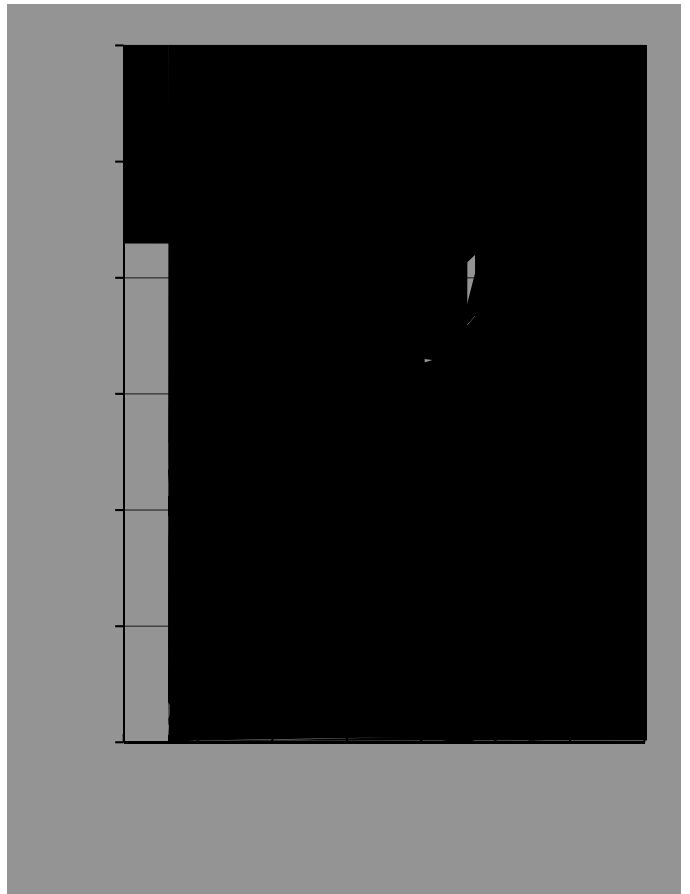
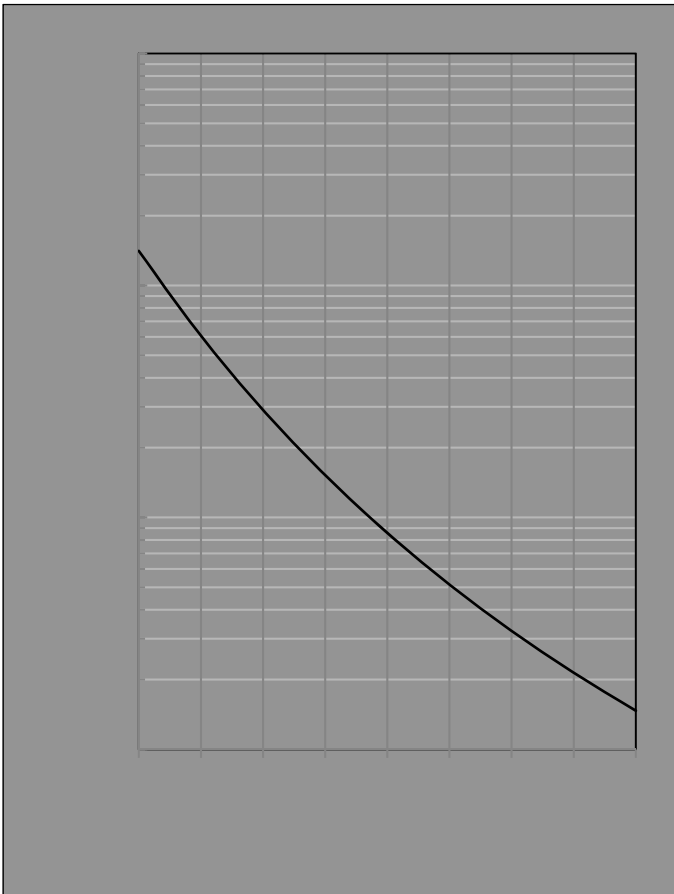
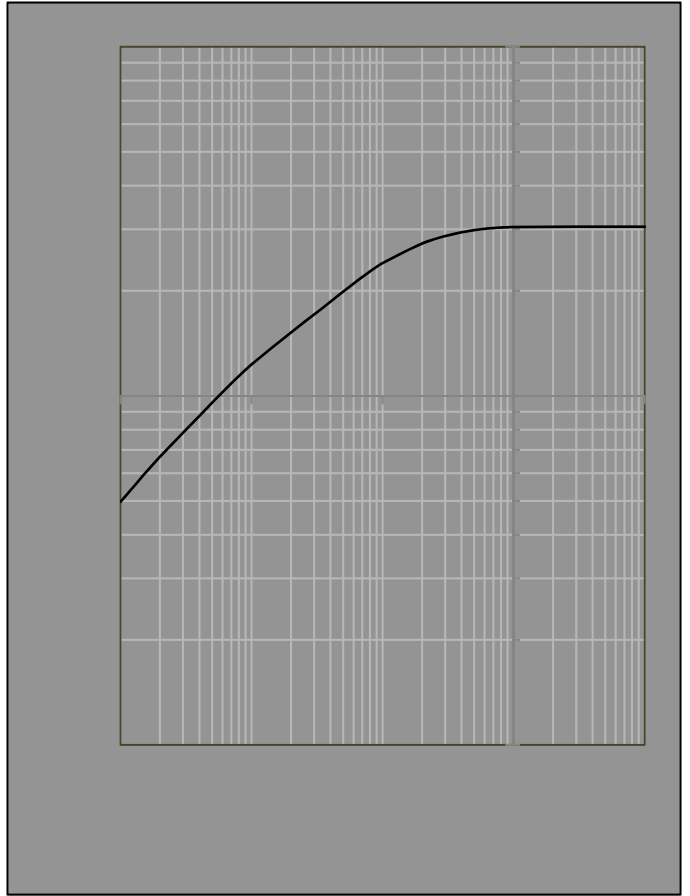
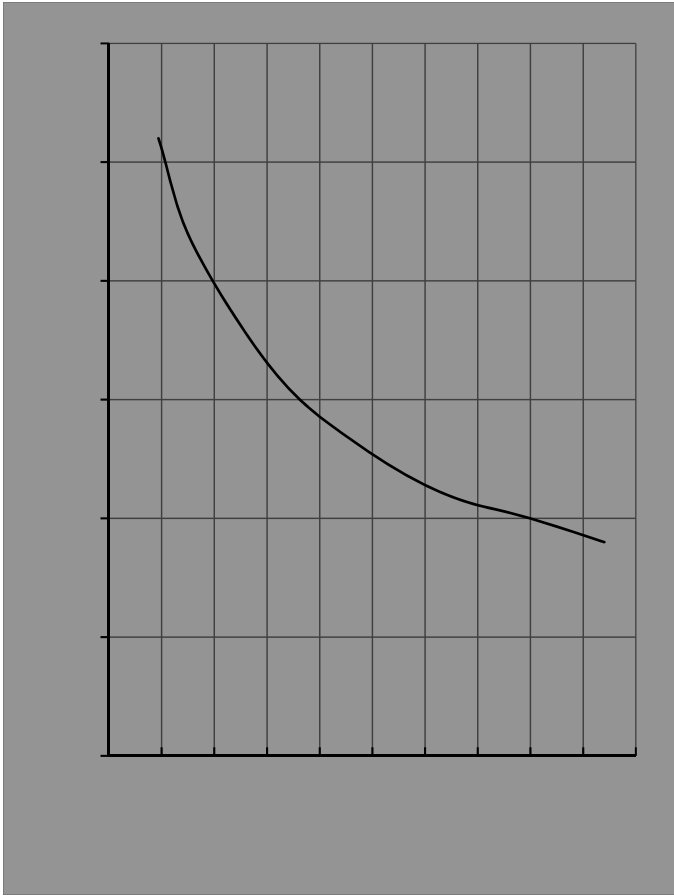
RoHS
COMPLIANT

Module Characteristics ()

Parameter	Symbol	Conditions	Value			Unit
			Min.	Typ.	Max.	



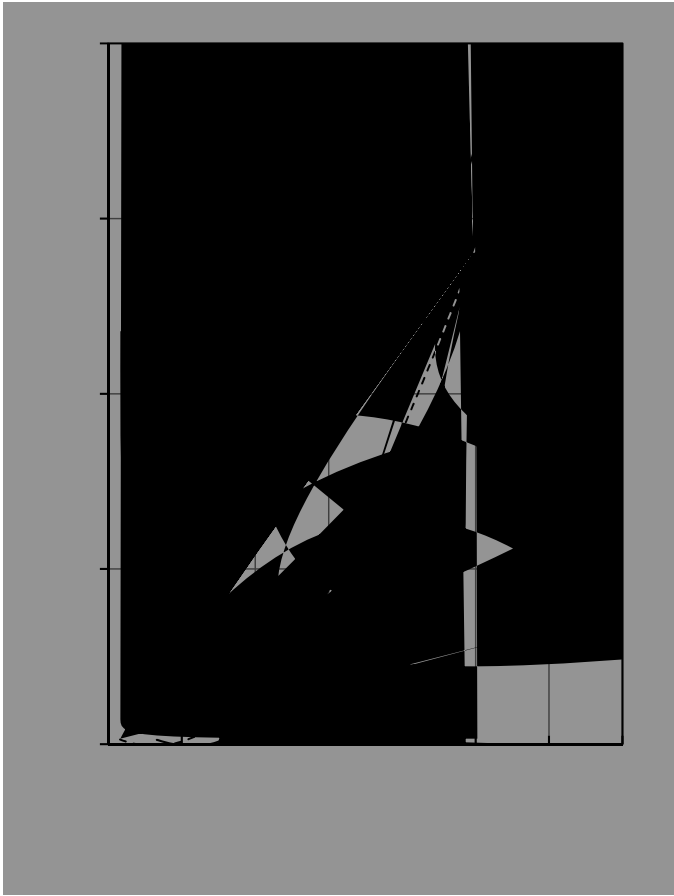






MG10P12P2

RoHS
COMPLIANT

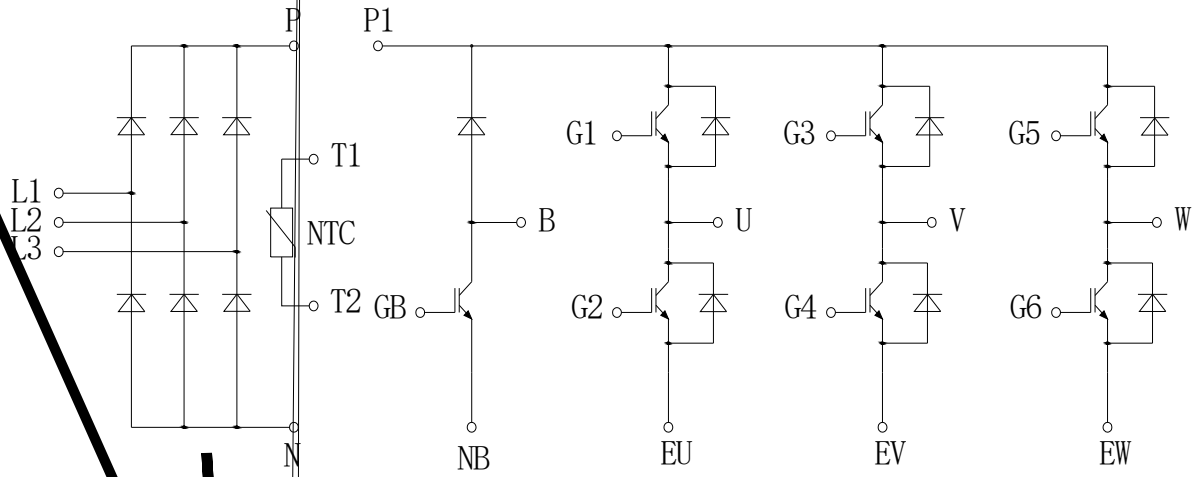




MG10P12P2

RoHS
COMPLIANT

Circuit Diagram



Package Dimensions

