



# TD356 Series

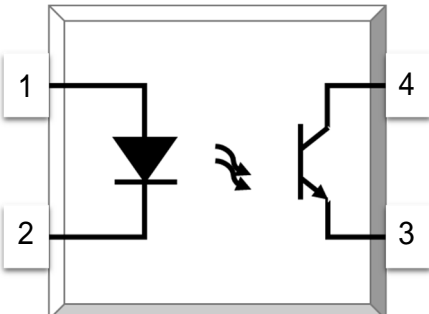
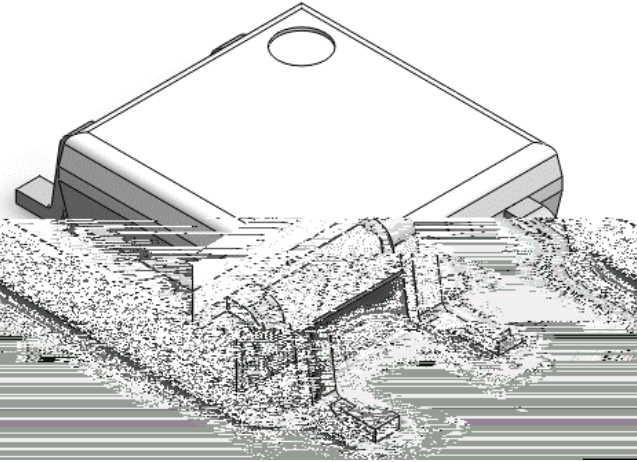
## SOP4, DC Input Photo Transistor Coupler

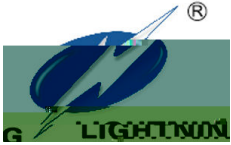
Description

Features

Applications

- 
- 
- 
- 

SCHEMATIC	
	
PIN DEFINITION	
	1. Anode
	2. Cathode
	3. Emitter
	4. Collector
PACKAGE OUTLINE	
	

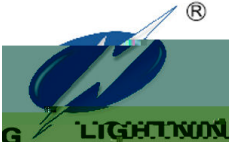


# TD356 Series

## SOP4, DC Input Photo Transistor Coupler

A ' SO# " TE MA ( IM " M ) ATIN ! S				

! "# \$ %  
& ' ( ) ! " \* + , - .



# TD356 Series

## SOP4, DC Input Photo Transistor Coupler

ELECT) ICA# OPTICA# CHA) ACTE ) ISTICS at Ta\*2+,C


( / 0  
+ ( / +

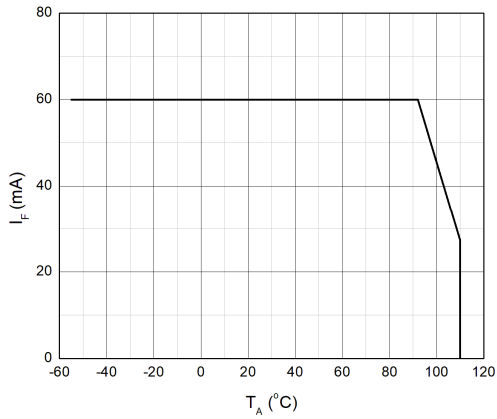


# TD356 Series

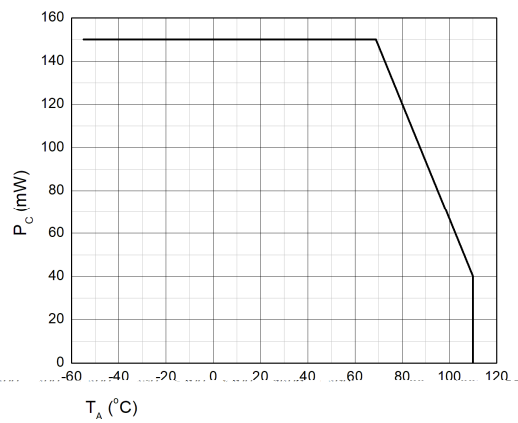
## SOP4, DC Input Photo Transistor Coupler

### CHARACTERISTICS - ES

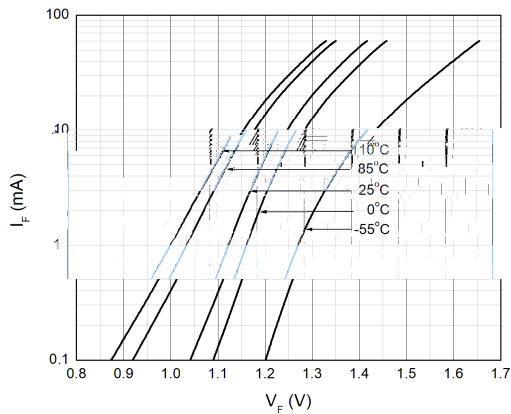
**Fig. 1 Forward Current vs. Ambient Temperature**



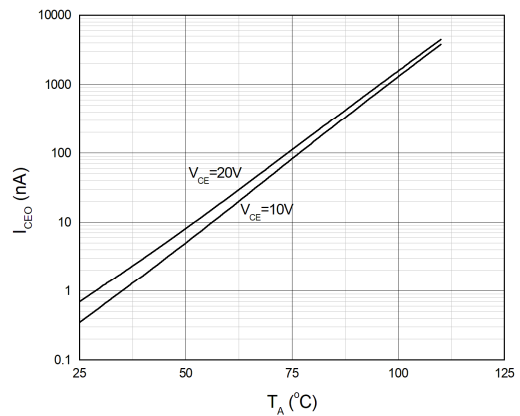
**Fig. 2 Collector Power Dissipation vs. Ambient Temperature**



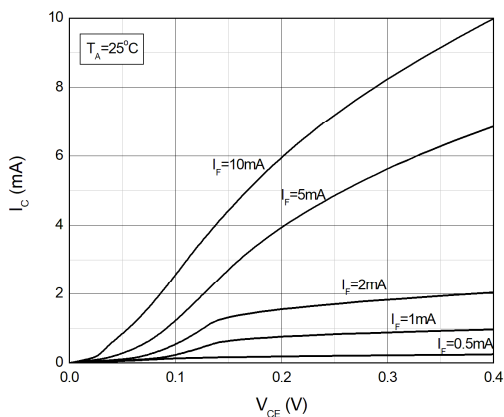
**Fig. 3 Forward Current vs. Forward Voltage**



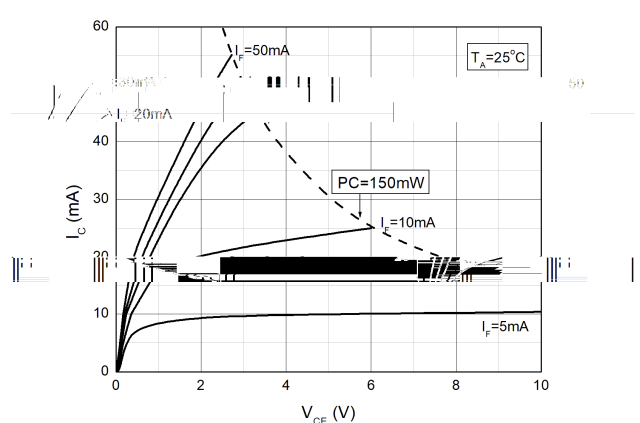
**Fig. 4 Collector Dark Current vs. Ambient Temperature**

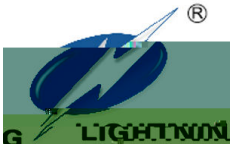


**Fig. 5 Collector Current vs. Collector-Emitter Voltage**



**Fig. 6 Collector Current vs. Collector-Emitter Voltage**



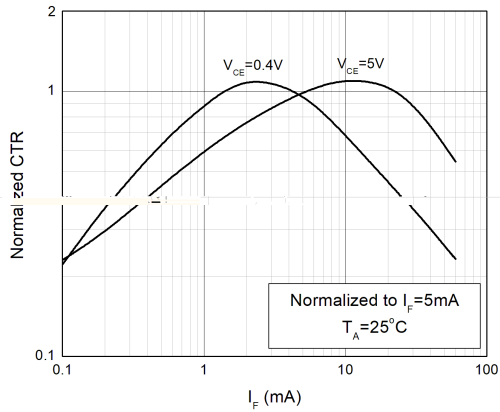


# TD356 Series

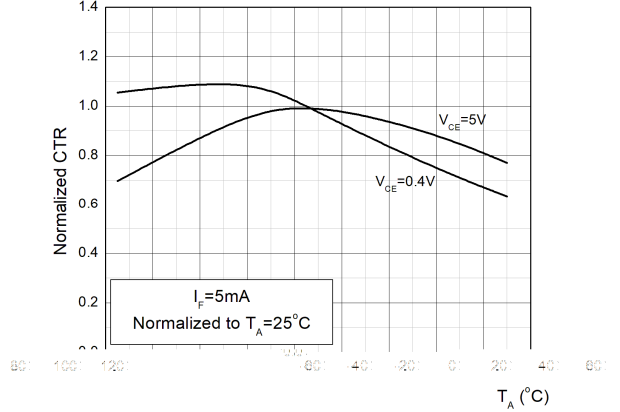
## SOP4, DC Input Photo Transistor Coupler

### CHARACTERISTICS - ES

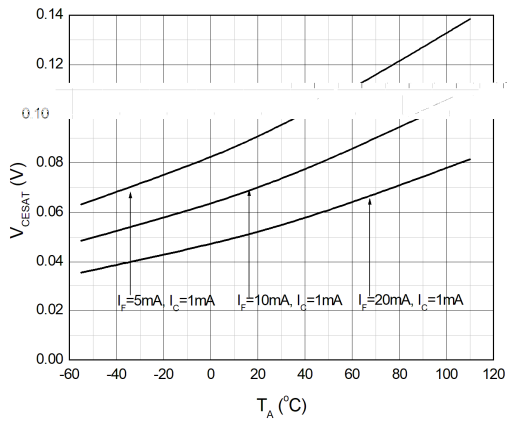
**Fig. 5 Normalized Current Transfer Ratio vs. Forward Current**



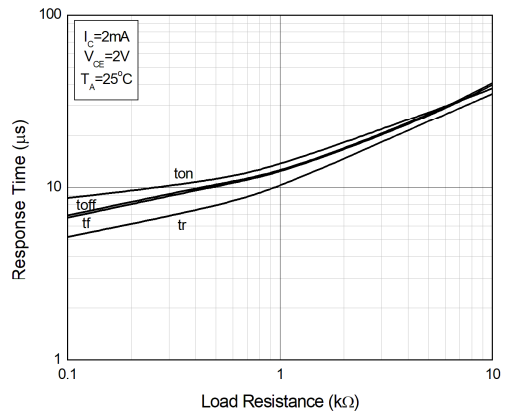
**Fig. 8 Normalized Current Transfer Ratio vs. Ambient Temperature**



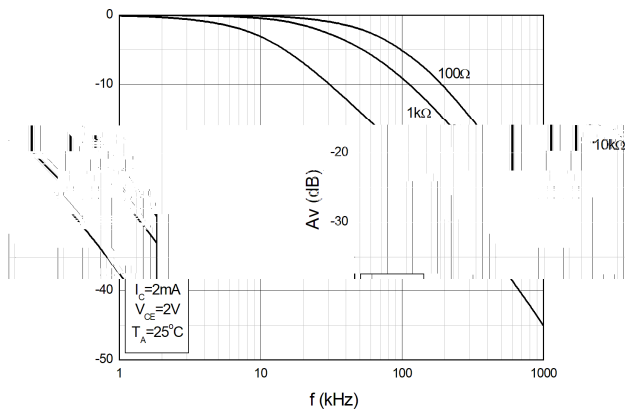
**Fig. 9 Collector-Emitter Saturation Voltage vs. Ambient Temperature**



**Fig. 10 Switching Time vs. Load Resistance**



**Fig. 11 Frequency Response**





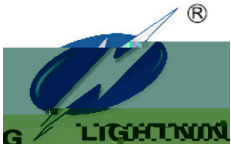
# TD356 Series

## SOP4, DC Input Photo Transistor Coupler

### TEST CIRCUITS

Fig. 12 Test Circuit of  $\tau_{on}$  Time

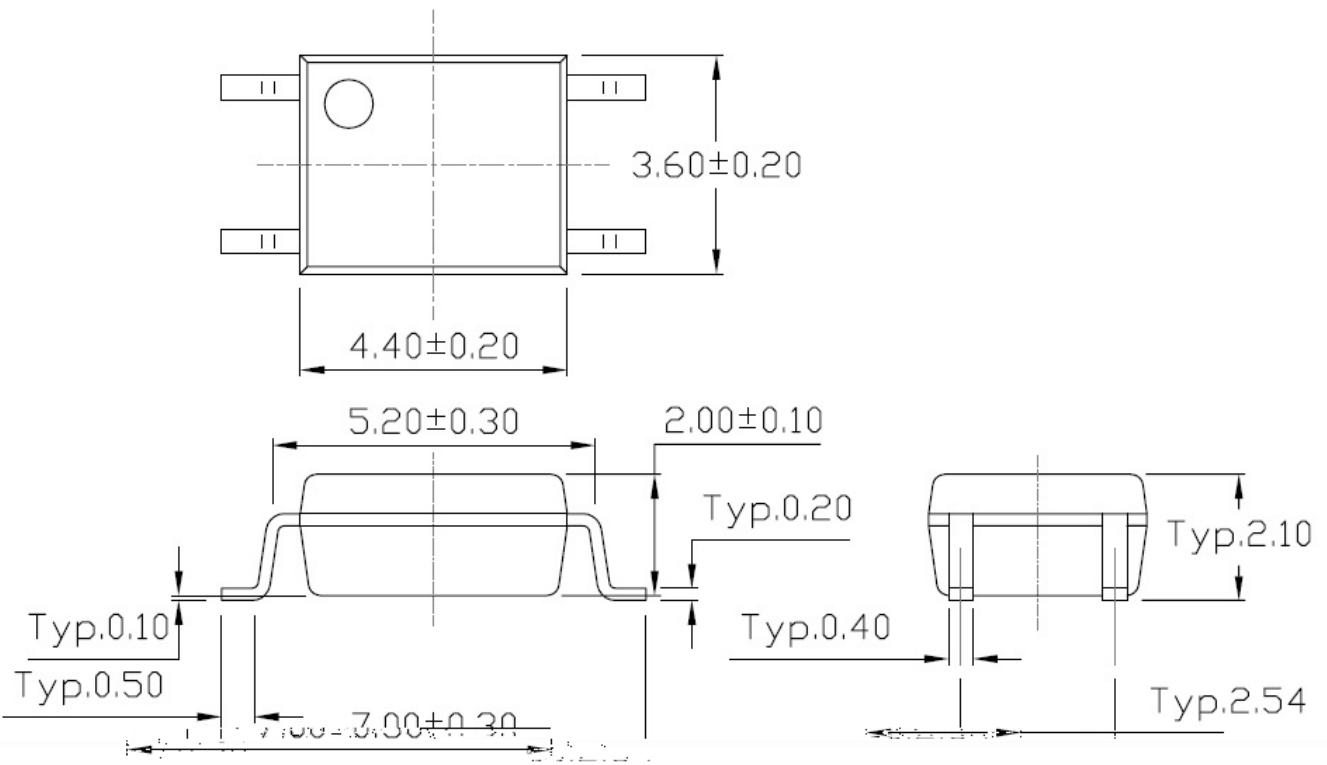
Fig. 13 Test Circuit of  $\tau_{off}$  Time



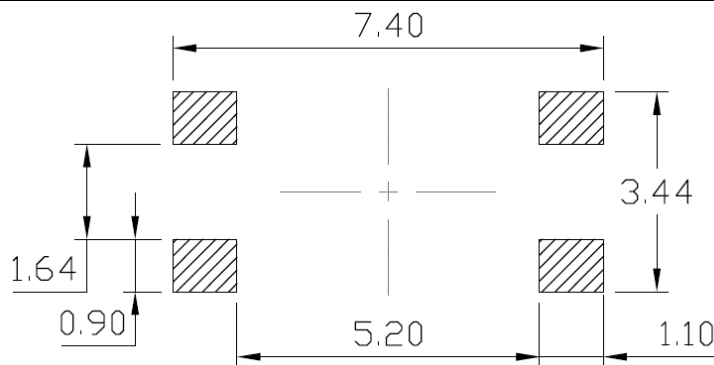
# TD356 Series

## SOP4, DC Input Photo Transistor Coupler

### PAC A ! E DIMENSIONS (Dimension\$ in mm & nle\$\$ other / i\$e \$stated=



### Recommended Solder Mask (Dimension\$ in mm & nle\$\$ other / i\$e \$stated=



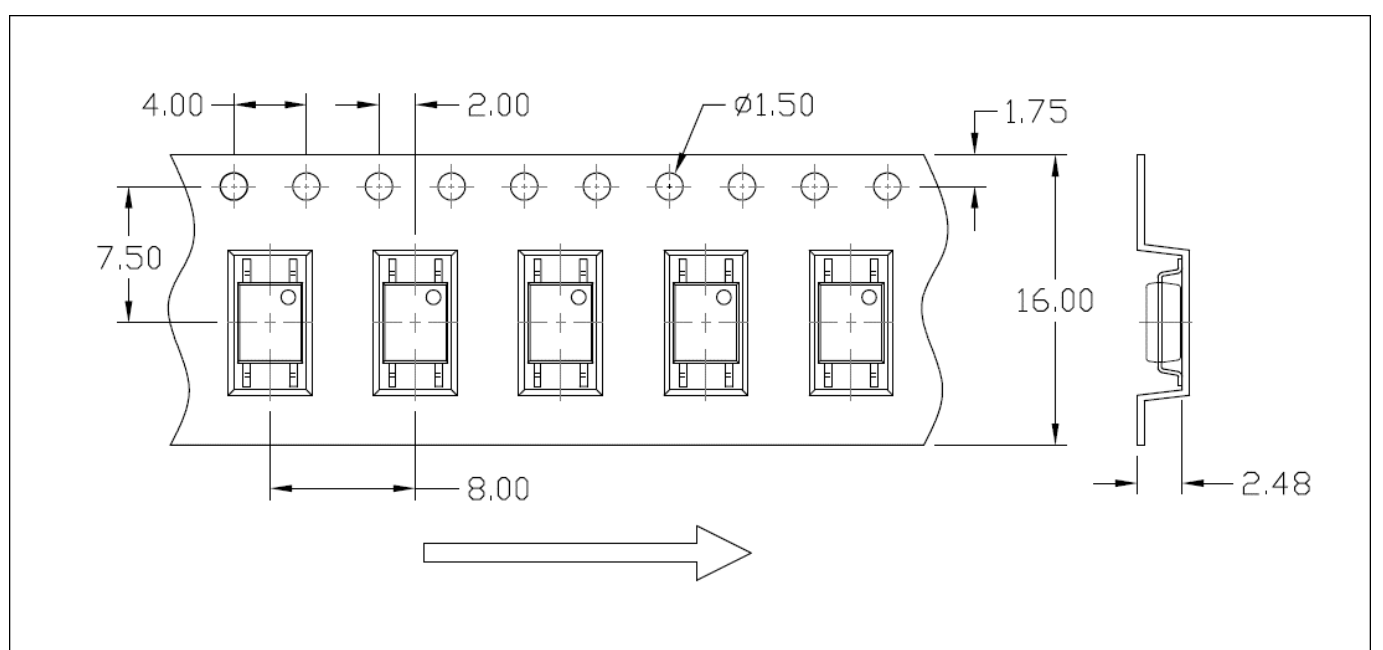


# TD356 Series

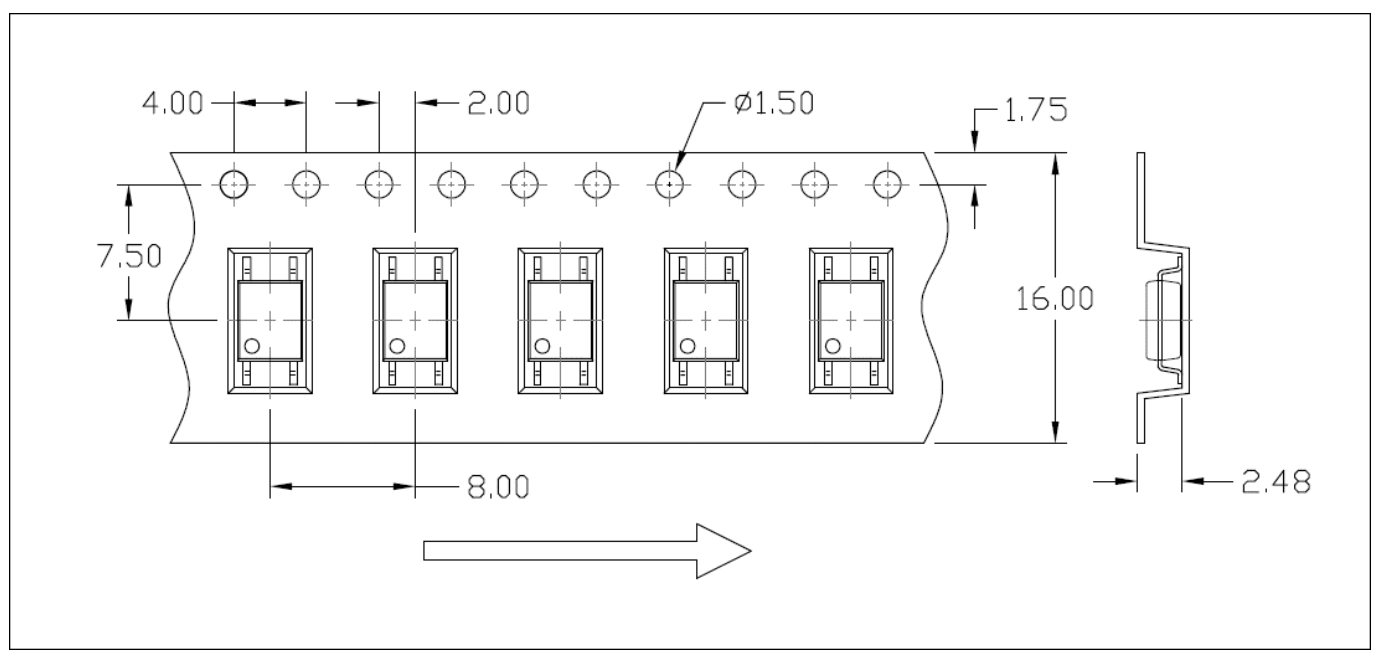
## SOP4, DC Input Photo Transistor Coupler

### TAPE SPECIFICATIONS (Dimension\$ in mm & nle\$\$ other / i\$e \$tated=

Option T1



Option T2





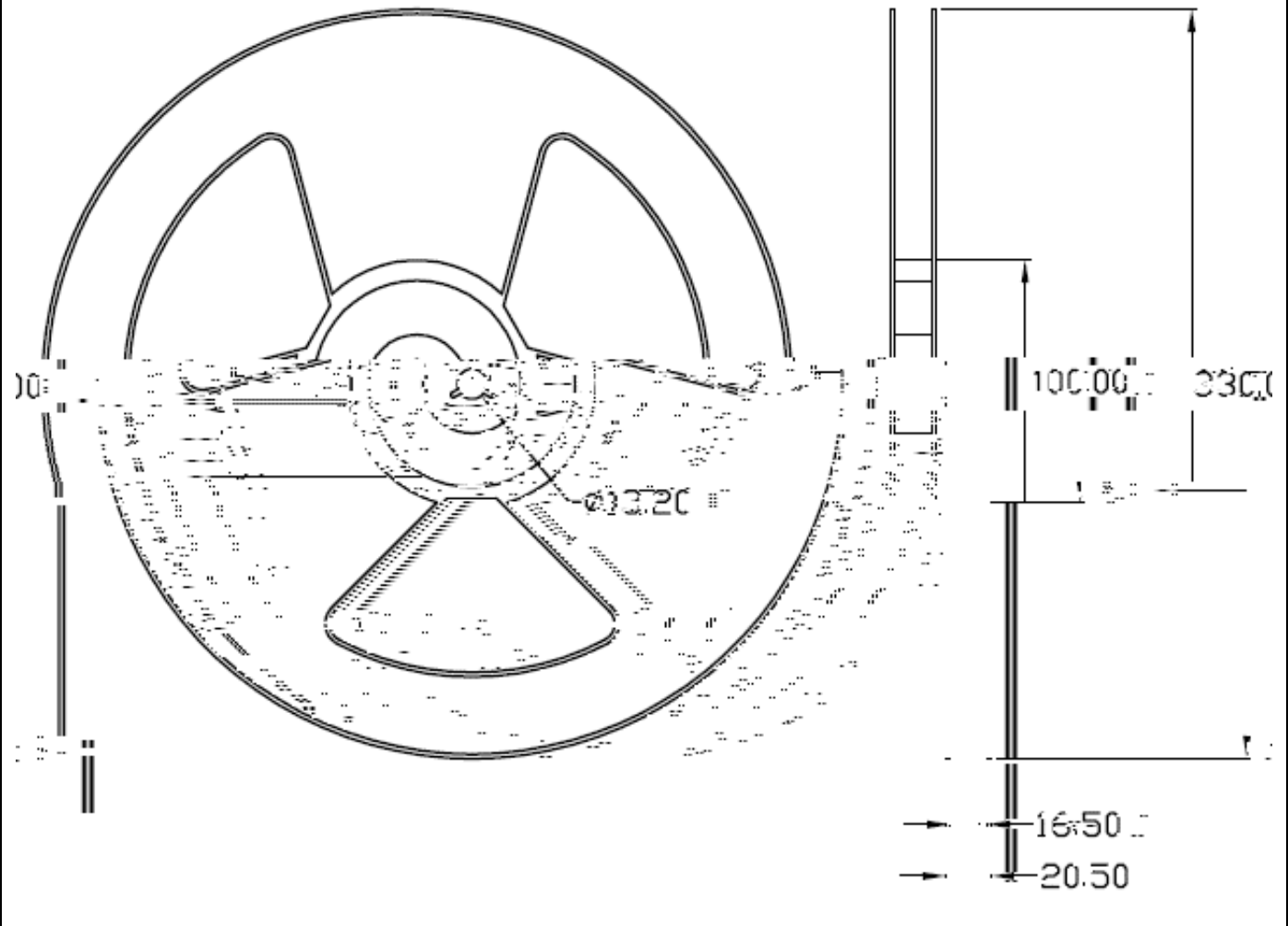


# TD356 Series

## SOP4, DC Input Photo Transistor Coupler

MECHANICAL SPECIFICATIONS (Dimensions in mm unless otherwise stated)

Orientation T1 > T2





# TD356 Series

## SOP4, DC Input Photo Transistor Coupler

### 1. ELECTRICAL SPECIFICATIONS (V<sub>CC</sub> = 5V)

Inner Pin

1 2 3 2" \* - 2 - 2 -

Outer Pin

1 2 3 2" \* + 2 4 2 4

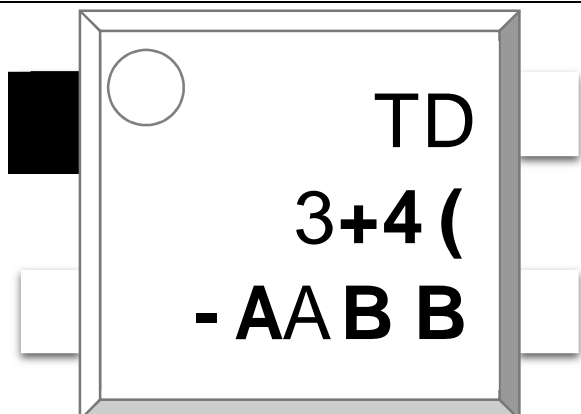


# TD356 Series

## SOP4, DC Input Photo Transistor Coupler

### ORDERING AND MARKING INFORMATION

#### MARKING INFORMATION








TD      @ Component  
 3+4    @ Part Number  
 (      @ (CT) )  
 -      @ -DE Option  
 AA     @ Fiscal Year  
 AA     @ Manufacturing Code  
 BB     @ B or B2

#### ORDERING INFORMATION

TD3+4(CD=3! -

#### PACKAGE INFORMATION


**福建天电光电有限公司**  
 FUJIAN LIGHTNING OPTOELECTRONIC CO., LTD.

Part No : XXXXXXXXXXXX      Bin Code : X  
  
 Lot No : XXXXXXXXXXXX  
 Date Code : XXXX  
 Q'ty : XXXX pcs  




#### PACKAGE INFORMATION

Option	Environment	Environment for Inner Lead	Environment for Outer Lead



# TD356 Series

## SOP4, DC Input Photo Transistor Coupler

### OPERATIONAL INFORMATION

#### OPERATIONAL INFORMATION

Profile Feature

Sn3P1 Assembly Profile

P13Free Assembly



# TD356 Series

---

## SOP4, DC Input Photo Transistor Coupler

DISC#AIME )