

DK112

AC-DC

CMOS

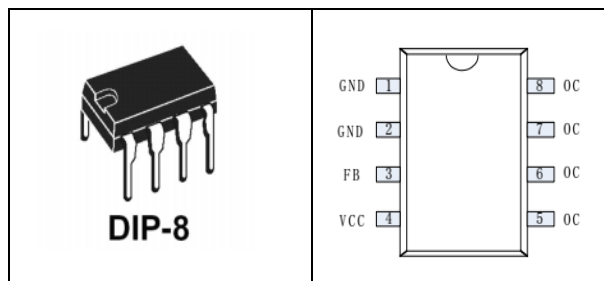
-
-
-
-
-
-
-

-
-
-
-

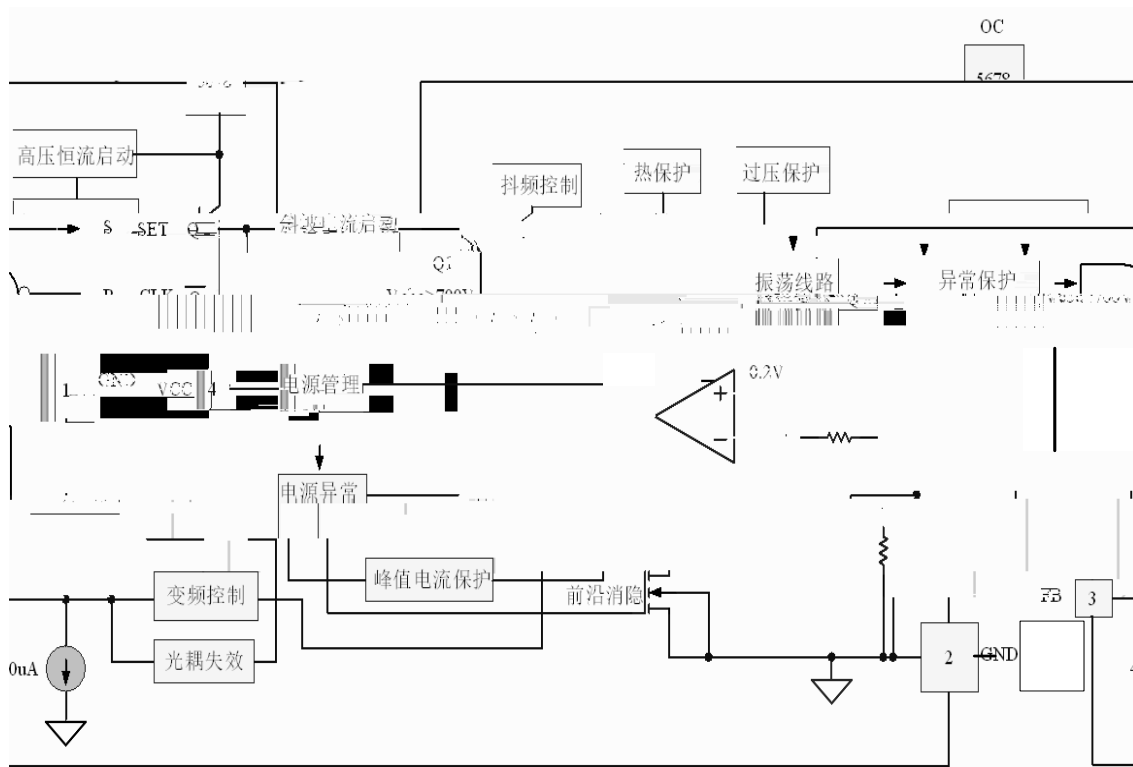
-
-
-

LED

DVD



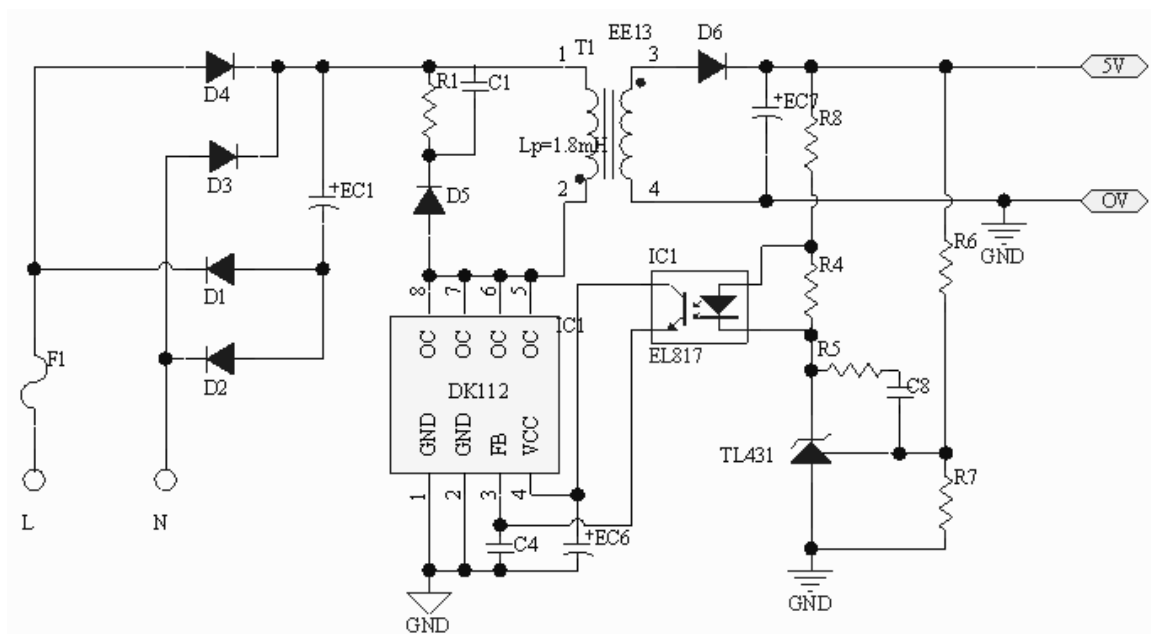
1	GND	
2	GND	
3	FB	1nF 10nF
4	VCC	10uF 47uF
5,6,7,8	OC	

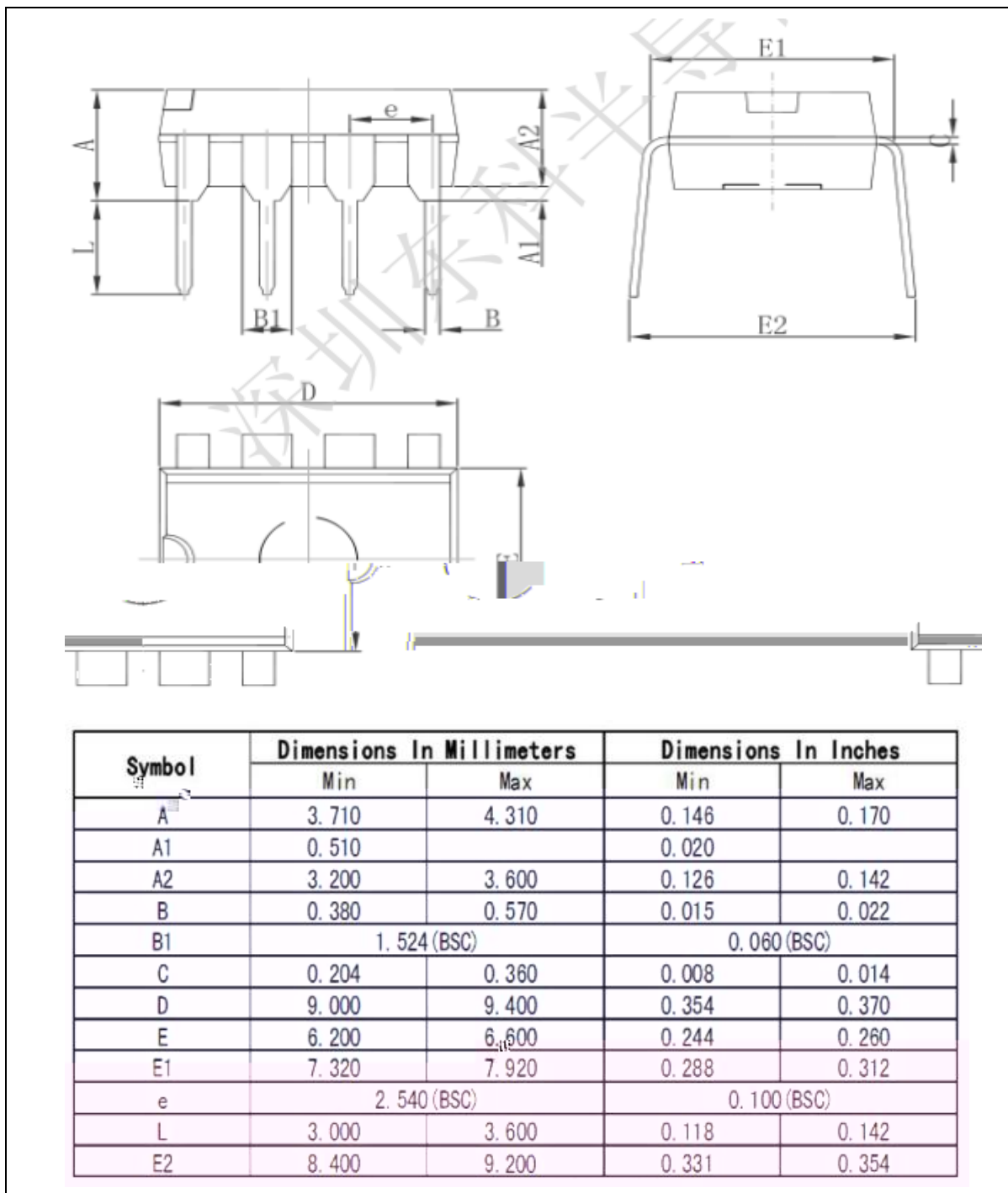


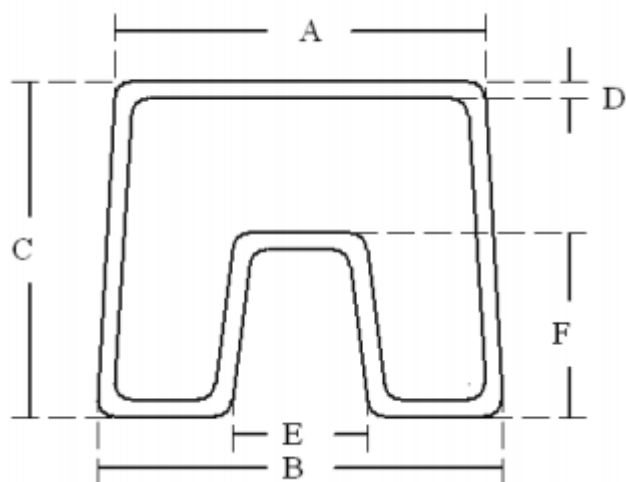
PWC

1.67

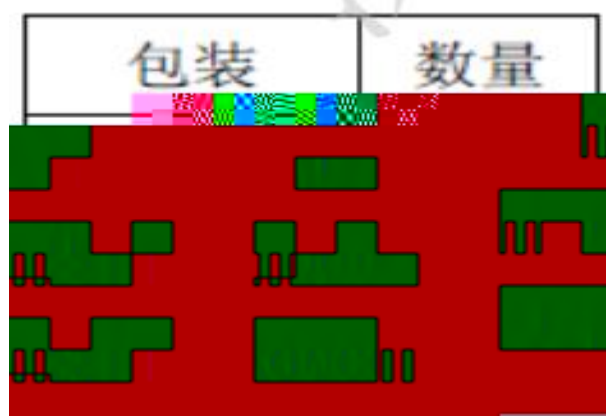
$$T3 = 2\pi\sqrt{Lp * C0c}$$







代号	最小值 (mm)	额定值 (mm)	最大值 (mm)
12.5	A	11.5	12
11	B	10	10.5
0.6	C	0.4	0.5
4.5	D	3.5	4
6	E	5	5.5





-
-
-
-
-
-
-
-